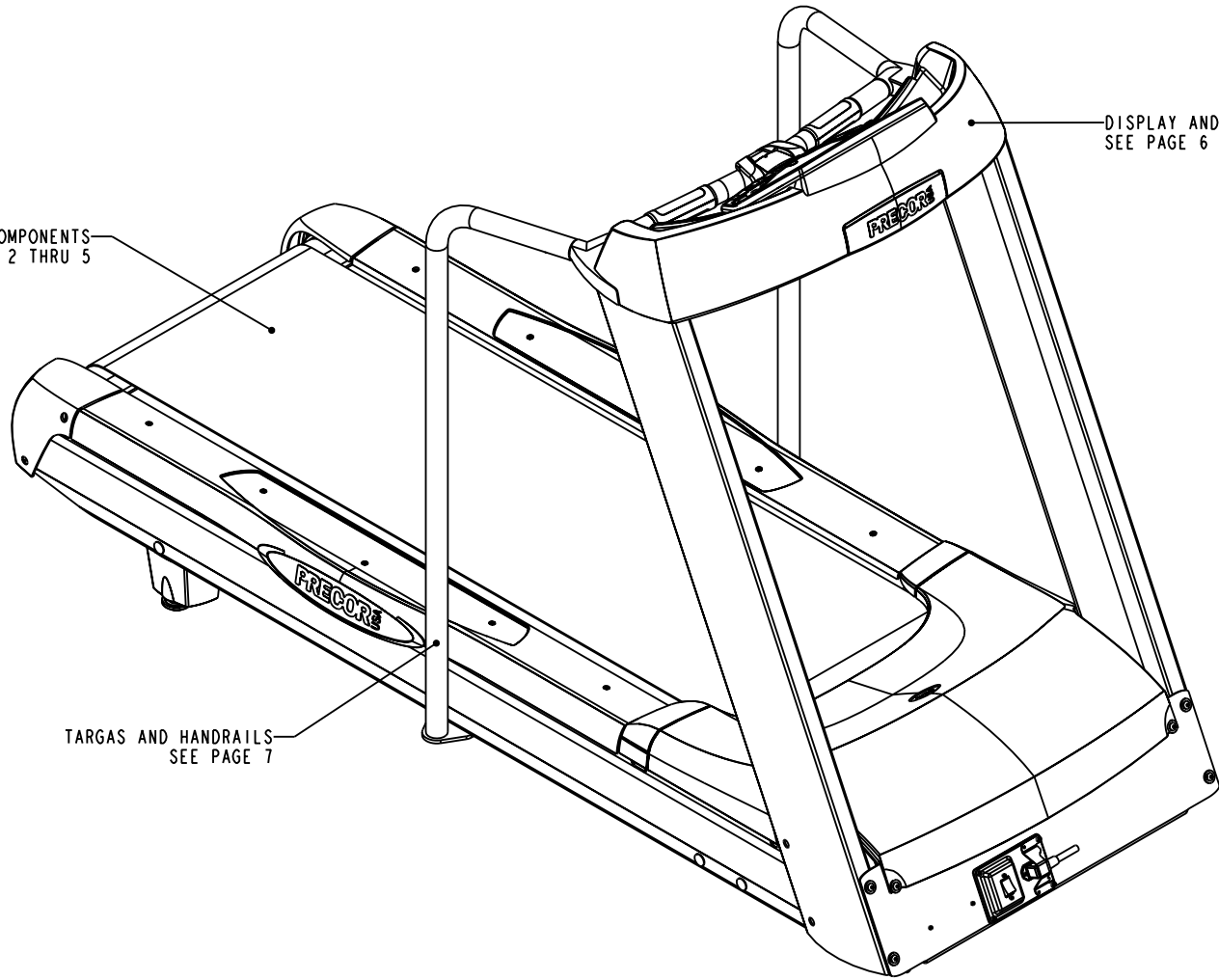


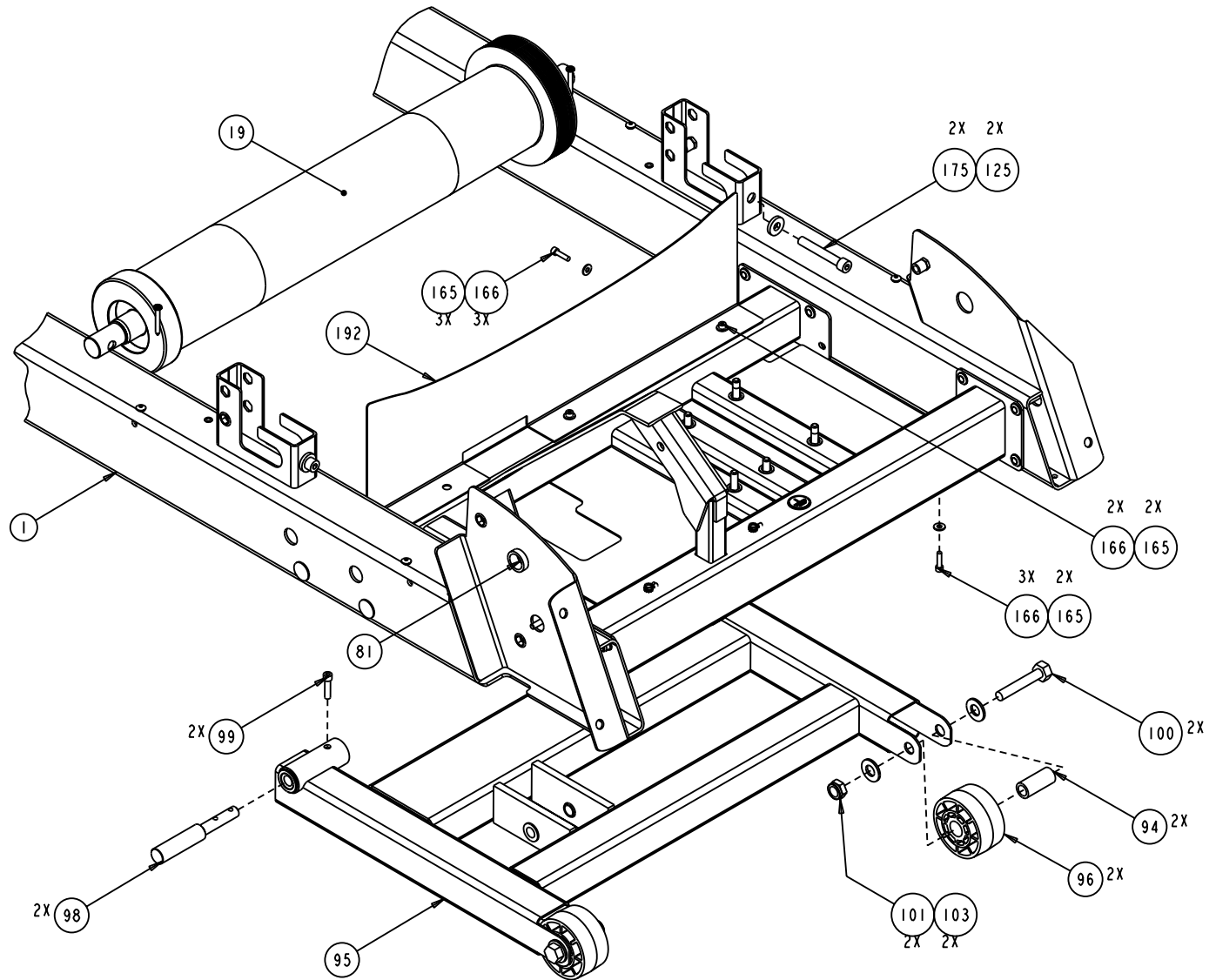
LOWER TREADMILL COMPONENTS
SEE PAGES 2 THRU 5

TARGAS AND HANDRAILS
SEE PAGE 7

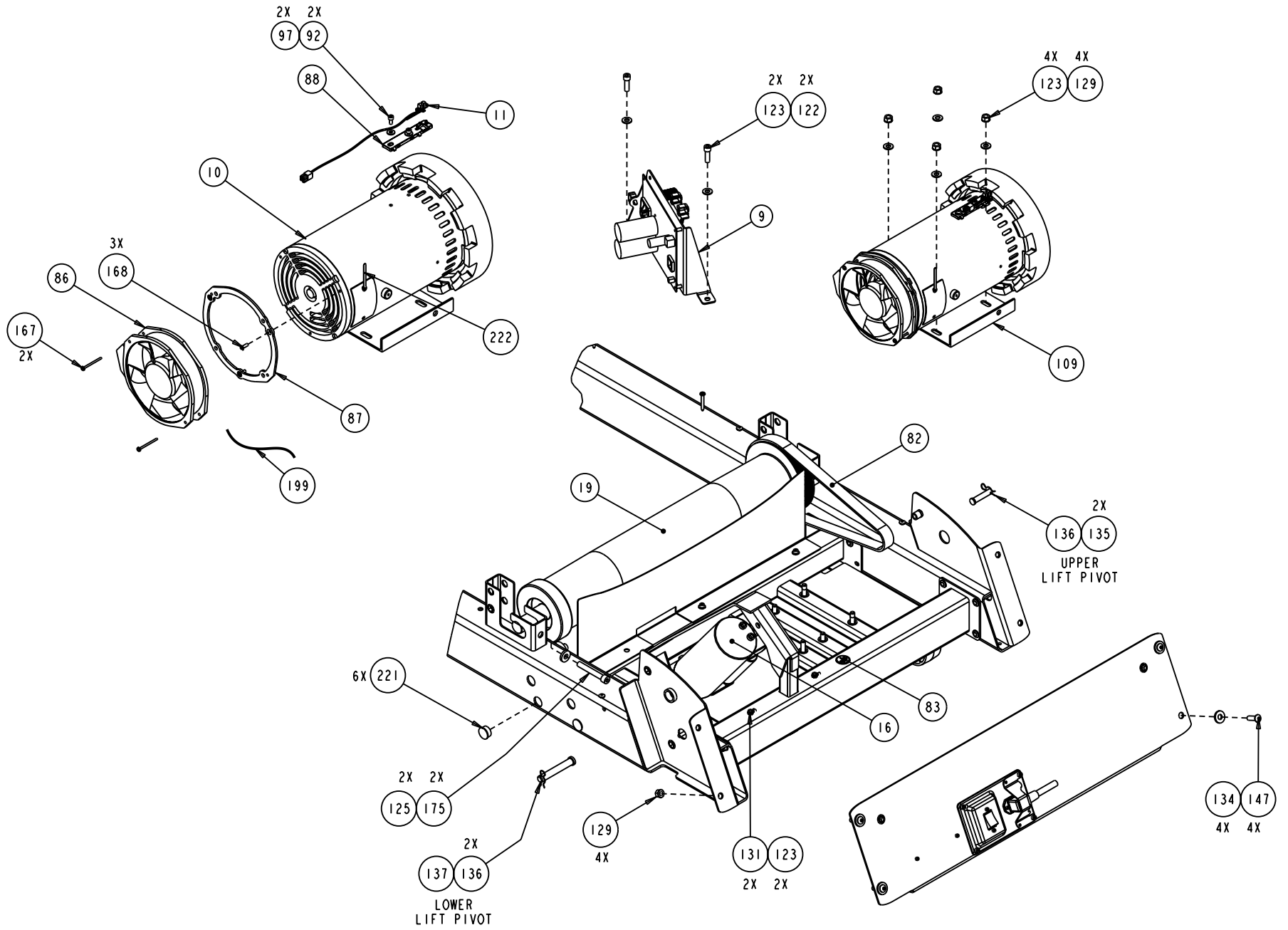
DISPLAY AND CONSOLE COMPONENTS
SEE PAGE 6



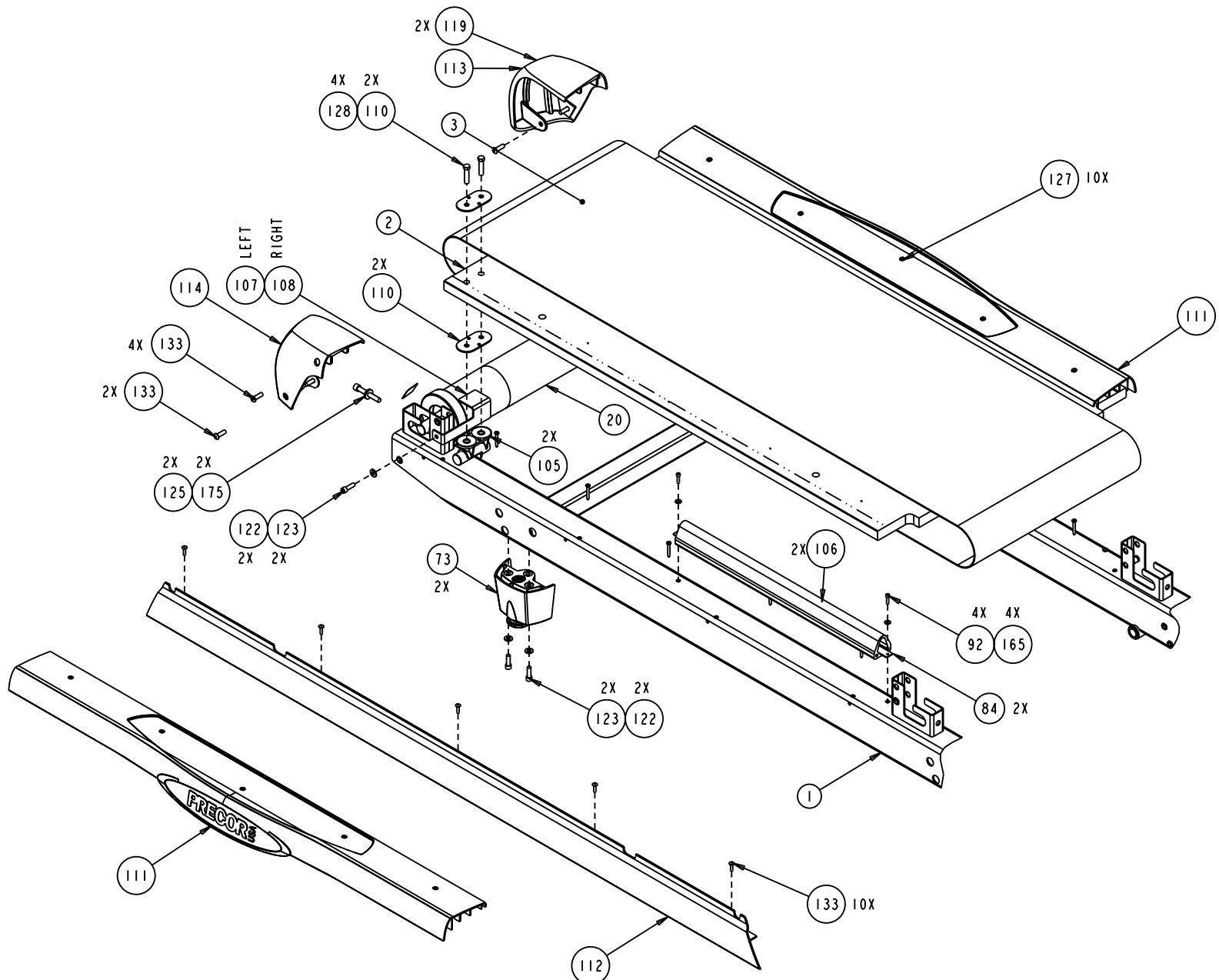
TREADMILL ASSEMBLY, C966i	P/N: 47420-101	REV: F
DRAWN BY: M.HAMILTON	DATE: 08.03.05	SHEET 1 OF 7



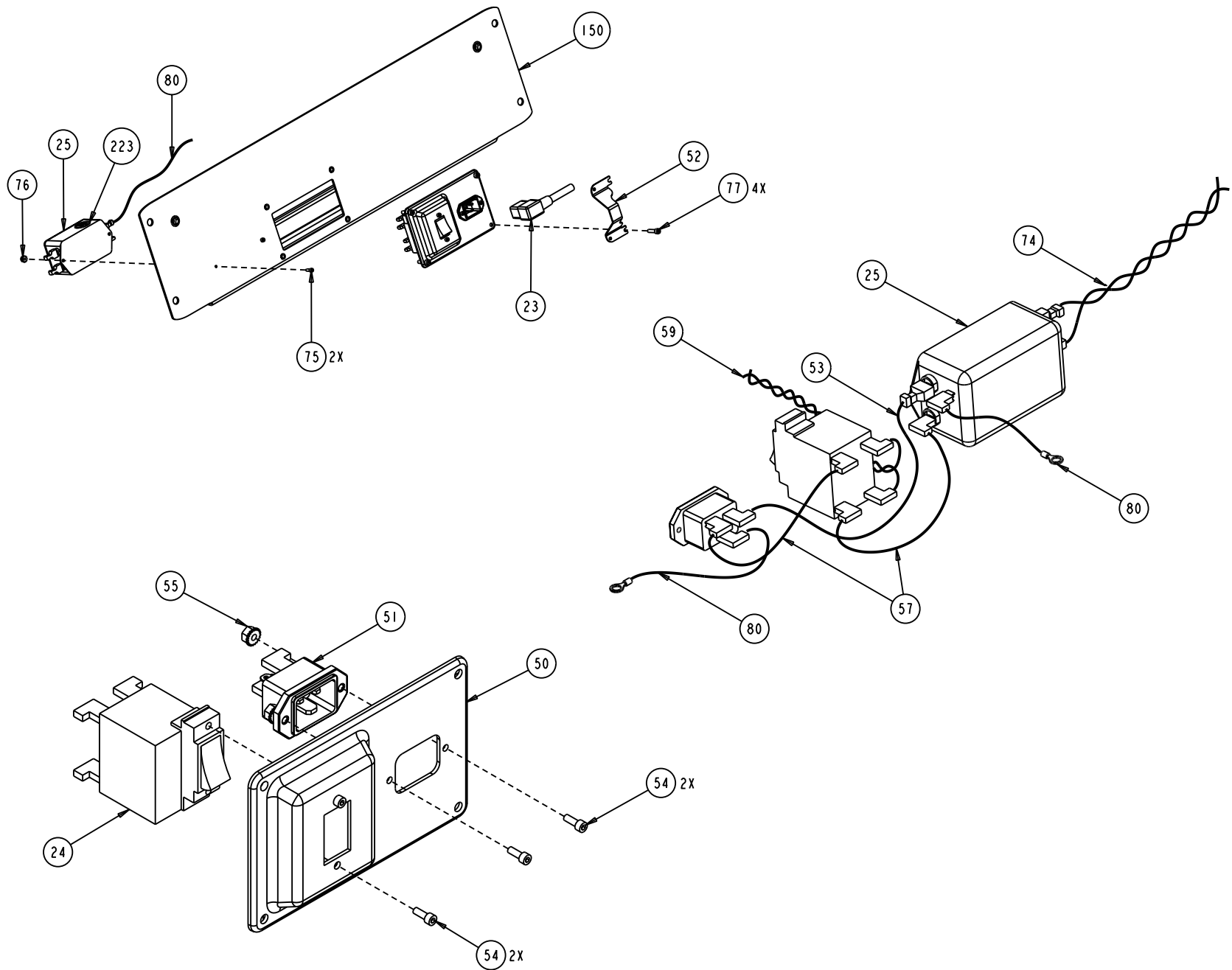
TREADMILL ASSEMBLY, C966i	P/N: 47420-101	REV: F
DRAWN BY: M.HAMILTON	DATE: 08.03.05	SHEET 2 OF 7



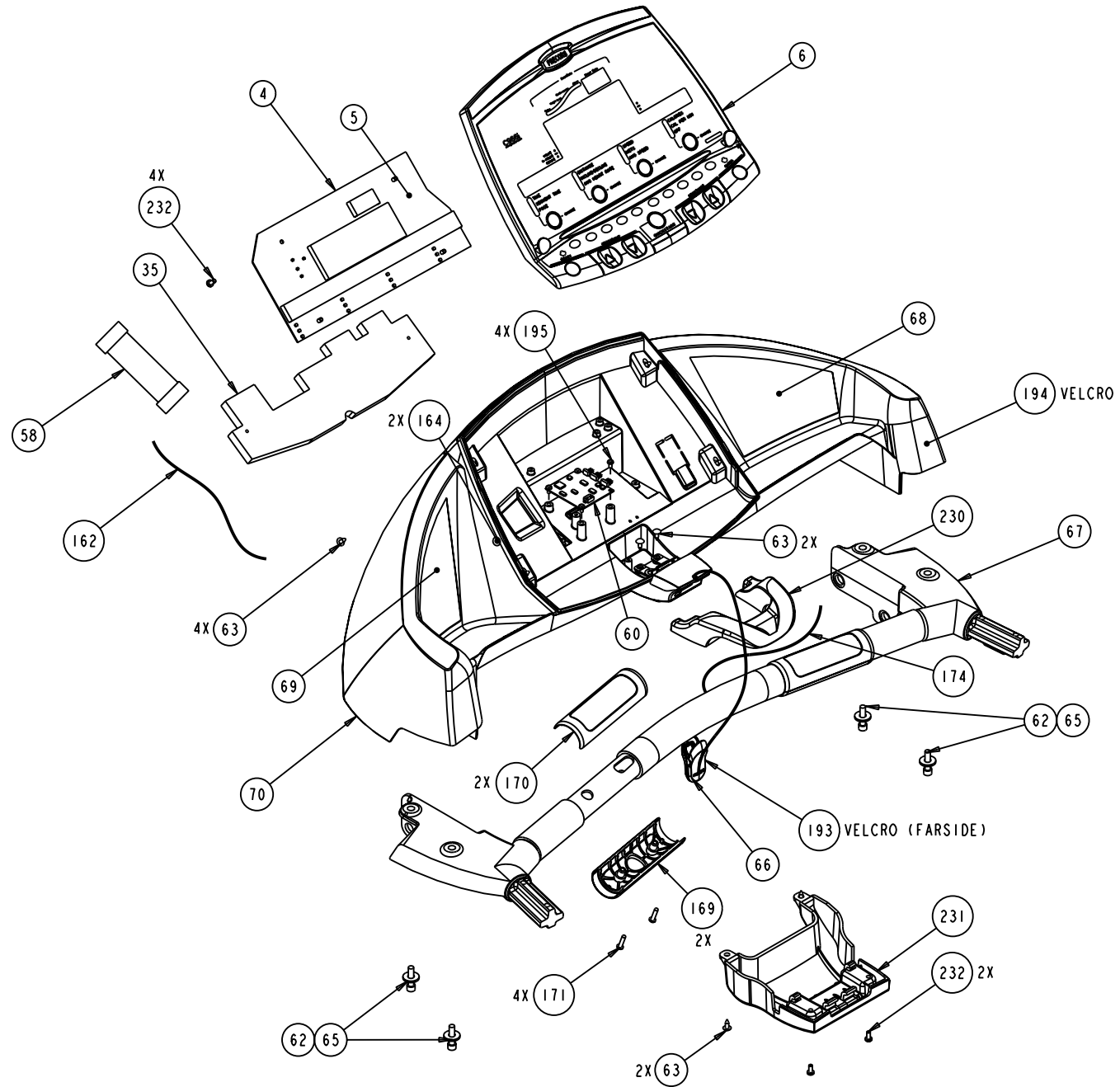
TREADMILL ASSEMBLY, C966i	P/N: 47420-101	REV: F
DRAWN BY: M.HAMILTON	DATE: 08.03.05	SHEET 3 OF 7



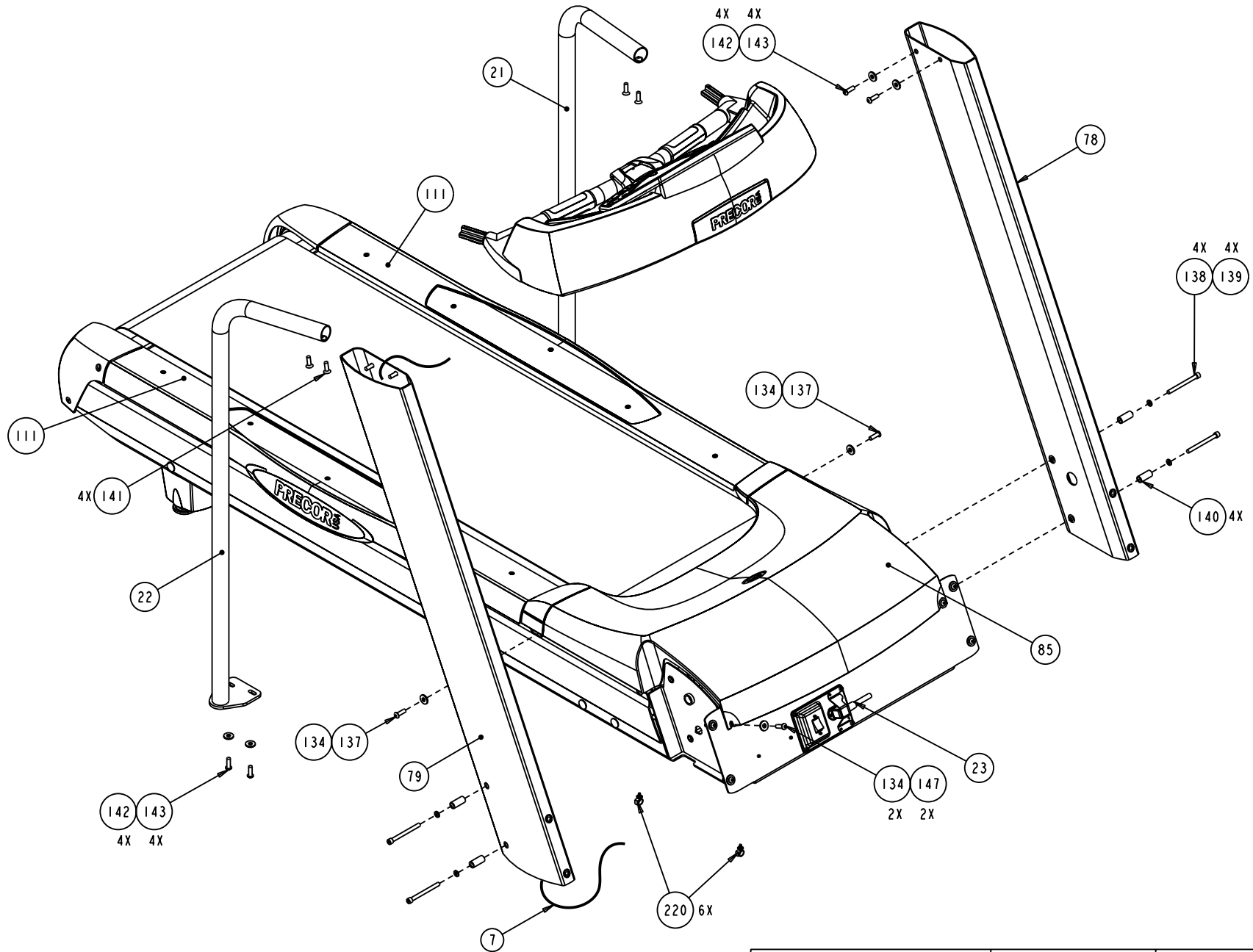
TREADMILL ASSEMBLY, C966i	P/N: 47420-101	REV: F
DRAWN BY: M.HAMILTON	DATE: 08.03.05	SHEET 4 OF 7



TREADMILL ASSEMBLY, C966i	P/N: 47420-101	REV: F
DRAWN BY: M.HAMILTON	DATE: 08.03.05	SHEET 5 OF 7



TREADMILL ASSEMBLY, C966i	P/N: 47420-101	REV: F
DRAWN BY: M.HAMILTON	DATE: 08.03.05	SHEET 6 OF 7



TREADMILL ASSEMBLY, C966i	P/N: 47420-101	REV: F
DRAWN BY: M.HAMILTON	DATE: 08.03.05	SHEET 7 OF 7

C966i (240 VAC)(serial code XJ).

Part Number	Description	Bubble Number
47361-102	ASSEMBLY, FRAME, C966I	1
59085-101	DECK ASSY WITH SHIPPER	2
36355-125	RUNNING BELT SIEGLING, 132.75 X 20	3
48071-104	ASSY, UPPER PCA & SW, C966I-T2	4
47399-111	ASSY, DISPLAY,LABEL,EN, C966I, T2,L	6
44905-084	ASSY,CBL,MOD,8P8C,1-1,84"	7
45914-104	ASSY,LWR ELECTRONICS, C96X-ND, T2	9
44217-101	ASSEMBLY, MOTOR/ FLYWHEEL	10
45618-024	ASSY,SENSOR,VANE,SR16C,24"L	11
44257-104	MOTOR, LIFT ACTUATOR, 240V	16
44214-102	ASSEMBLY, DRIVE ROLLER	19
44212-102	ASSEMBLY, TAKE-UP ROLLER	20
47352-101	WELDMENT, HANDRAIL, SHORT, LEFT	21
47352-102	WELDMENT, HANDRAIL, SHORT, RIGHT	22
46988-144	PWR CORD,250VAC,16A,CEE 7/7RA - IEC	23.01
47430-144	PWR CORD,250VAC,20A,NEMA 6-20RA45/I	23.02
10738-102	CKT BRKR,250V,MAGNETIC,ROCKER,	24
11224-102	FILTER,PWR LINE,250VAC,16A	25
44285-302	IC, CPU, PGMD, C96X-ND, LOWER, V3.0	27
44411-103	TOUCHSENSOR SHIELD,23-KEY,T2/C2/T3/	35
44275-102	MOUNT, CIRCUIT BREAKER, PLASTIC	50
45381-101	IEC 16/20A POWER CORD INLET	51
47252-101	90 DEGREE POWER CORD CLAMP, C95X.	52
45383-009	ASSY,CBL,1 COND,14AWG,QK DISC,FLAG,	53
CCNE013-038	SCREW, SKHD,6-32X3/8,SS,LK	54
KGCN013-011	LOCKNUT, STARWASHER 6-32, #6	55
44528-006	ASSY,CBL,1 COND,14AWG,QK DISC,6",BR	57
45696-022	ASSY,CBL,FFC,12COND,28AWG,2.2"	58
44532-024	ASSY,CBL,2 COND,22 AWG,MOLEX, 24"	59
43579-106	BOARD, CHR & WIRELESS/CONTACT PRIOR	60
WNKN026-006	WASHER,FLT,1/4X.625X.063,BLK ZN	61
MGCN016-038	SCREW,MCH,8-32X3/8,PANHD,PHIL,	63
PGKN016-050	SCREW,S/T,#8X1/2,TRS,PHIL,BLK	63
CAKN025-100	SCREW,SKHD,1/4-20X1,BLK ZN,LK	65
44202-104	ASSEMBLY, STOP BUTTON	66
45649-101	ASSEMBLY, HANDLEBAR, COMMERCIAL TRE	67
47371-111	LABEL, RIGHT, DASH, EN, C956I/C966I	68
47365-111	LABEL, LEFT DASH, EN, C966I, C2/T2	69
39004-106	DASH,CONSOLE, STONE GREY	70
44019-106	ASSEMBLY, REAR FOOT, C966	73
45273-023	ASSY, CABLE, FILTER TO TERMINAL BLK	74
CCNE013-038	SCREW, SKHD,6-32X3/8,SS,LK	75
KGCN013-011	LOCKNUT, STARWASHER 6-32, #6	76
CAKN019-075	SCREW, SKHD,10-24 X 0.75,BLK ZN,LK	77
44216-107	ASSEMBLY, TARGA, LEFT,TITANIUM	78
44216-108	ASSEMBLY, TARGA, RIGHT,TITANIUM	79
44534-008	ASSY,CBL,1COND,14AWG,QK DISC,8"	80
10178-107	BUSHING, SNAP	81
10217-134	BELT, DRIVE, 320J10 POLY V	82

33984-101	LABEL, SAFETY, GROUND SYMBOL	83
44074-103	STRAP, GFX TIE DOWN	84
44224-103	ASSEMBLY, HOOD, STONE GRAY	85
44279-102	FAN, C966-ND, 240V	86
44278-103	BRACKET, FAN MOUNT	87
41734-103	BRACKET, VANE SWITCH, MOUNTING	88
WACN019-005	WASHER, FLT, #10X.500X.049,ZN	92
36192-101	BUSHING, SPANNER	94
44227-103	ASSEMBLY, LIFT,WELDMENT	95
44270-101	WHEEL, LIFT	96
CBKN019-038	SCREW,SKHD,10-32X.3/8,BLK ZN	97
44273-104	PIN, QUICK RELEASE	98
CAKN025-100	SCREW,SKHD,1/4-20X1,BLK ZN,LK	99
HCKN050-250	SCREW,HEX,GR 5,1/2-13X2-1/2,BLK ZN	100
KACN050-019	LOCKNUT,HALF,1/2-13,ZN	101
WBCN050-010	WASHER, FLT, 1/2, ID=.531,	103
44234-101	DECK PIVOT	105
44236-101	GFX CUSHION	106
44258-103	BRIDGE, LEFT, PAINTED	107
44258-104	BRIDGE, RIGHT, PAINTED	108
45532-101	BRACKET, MOTOR MOUNT	109
44263-101	PLATE, SPACER, DECK	110
47393-102	ASSEMBLY, DECK TRIM, C966I	111
47034-105	COVER, SIDERAIL, C966I, TITANIUM	112
44272-109	ENDCAP, LEFT,PT,STONE	113
44272-110	ENDCAP, RIGHT,PT,STONE	114
47962-101	LABEL, CAUTION, ENDCAP, SLATE GRAY	119
CAKN031-100	SCREW,SKHD,5/16-18X1,BLK ZN,LK	122
WBCN031-007	WASHER,FLT,5/16X.688X.065, ZN	123
CKKN038-250	SCREW,SKHD,3/8-24X2.50L,BLK ZN,.78	125
PBKN019-150	SCREW,S/T,#10X1-1/2,PANHD,PHIL,BLK	127
HCCN038-150	SCREW,HEX,GR 5,3/8-16X1 1/2,ZN	128
KGCN031-027	LOCKNUT,STARWASHER,5/16-18,1/2	129
PKCN019-050	SCREW,S/T,#10X1/2,WSHHXHD,ZN	130
WAMCN019-002	WASHER, LOCK, EXT TOOTH, #10	131
TAKN019-075	SCREW,BTHD,10-24X3/4,BLK ZN	132
TCKN031-100	SCREW, BTNHD, 5/16-18 X 1, BLK ZN	133
WPNN038-008	WASHER,FLT,5/16X.875X.104,SS	134
10401-106	PIN,CLEVIS, 3/8 X 1.75, SILVER	135
10400-103	PIN, HITCH, .093 DIA, SILVER CAD, #	136
45669-102	PIN, LIFT PIVOT, 3.34, MUSHROOM HEA	137
CAKN031-350	SCREW,SKHD,5/16-18 X 3.50,BLK ZN,LK	138
WPNN033-005	WASHER,FLT,5/16X.562X..060,AN960C	139
44060-103	SPACER, TARGA BOLT, 2.500 L	140
MRNN025-100	SCREW, MCH,1/4-20X1,FLTHD,HEX	141
TCNN031-100	SCREW,BTHD,5/16-18X1, SS	142
WPNN038-008	WASHER,FLT,5/16X.875X.104,SS	143
TCNN031-100	SCREW,BTHD,5/16-18X1, SS	147
44226-102	ASSEMBLY, DRESS PLATE, BLACK	150
44954-013	ASSY,CBL,HHHR TO DISPLAY,13"	162
12157-102	BUMPER, RUBBER BUMPON, .44 X .20	164

CAKE019-075	SCREW, SKHD,10-24 X 0.75,BLK ZN,LK	165
CAKN019-075	SCREW, SKHD,10-24 X 0.75,BLK ZN,LK	165
WACN019-005	WASHER, FLT, #10X.500X.049,ZN	166
MGCE013-175	SCREW, MCH, 6-32X1-3/4, PANHD,NYLP	167
MGCE016-163	SCREW, MACHINE, 8-32 X 1-5/8, PHIL	167
MNCE016-050	SCREW, MCH, 8-32X1/2, FLTHD, PHIL	168
42714-102	HHR SENSOR,BOTTOM	169
42713-102	HHR SENSOR, TOP	170
TCNN016-075	SCREW, BTHD, 8-32X.75,SS	172
CAKN011-025	SCREW, SKHD, #4-40X1/4, BLK ZN,LK	173
47342-018	ASSY, CABLE, HHR PCA TO GRIP, W/SH	174
WAVCN038-015	WASHER, FLAT, 3/8 X .875 X .150	175
12264-101	RJ-45 TELEPHONE JACK PLUG	180
45728-102	ENCLOSURE, UPPER	192
10762-110	VELCRO, BLACK HOOK,1.50 X 1.00	193
10762-109	VELCRO, BLACK LOOP,1.50 X 1.00	194
MGCN013-025	SCREW,MCH,6-32X1/4,PANHD,PHIL,	195
44201-103	SWITCH MOUNT, M9.5X,C95X	196
45283-011	ASSY,CBL,UPPER SAFETY SWITCH,11"	197
12259-102	SWITCH,MICRO,PLUNGER,SPNC	198
44289-102	HARDWARE KIT, C95X-ND,C966	200
10186-101	WRENCH, ALLEN, 5/32	201
10186-102	WRENCH, ALLEN, 1/4	202
10186-103	WRENCH, ALLEN, 3/16	203
10186-104	WRENCH, ALLEN, 5/16	204
11075-020	FUSE,200MA,250VAC,SLOW,RADIAL	205
11075-102	FUSE,1.00A,250VAC,SLOW,RADIAL	206
11075-105	FUSE,2.00A,250VAC,SLOW,RADIAL	207
50991-101	SLIK DECK AND DRYLUBE BELT CS KIT W	210
12414-101	CABLE CLAMP INSERT,SNAP IN	220
10114-109	CAP, PLASTIC HEYCO #2693 BLACK	221
37436-101	LABEL, CHASIS NEUTRAL	223
47408-102	SHIELD, STOP BUTTON, UPPER,STONE GR	230
47409-102	SHIELD, STOP BUTTON, LOWER,STONE GR	231
MGCN016-038	SCREW,MCH,8-32X3/8,PANHD,PHIL,	232
20002-106	BRUSH, MOTOR, PAC SCI, C960	990

C966i (240 VAC)(serial code XJ).

Part Number	Description	Bubble Number
47361-102	ASSEMBLY, FRAME, C966I	1
59085-101	DECK ASSY WITH SHIPPER	2
36355-125	RUNNING BELT SIEGLING, 132.75 X 20	3
48071-104	ASSY, UPPER PCA & SW, C966I-T2	4
47399-111	ASSY, DISPLAY,LABEL,EN, C966I, T2,L	6
44905-084	ASSY,CBL,MOD,8P8C,1-1,84"	7
45914-104	ASSY,LWR ELECTRONICS, C96X-ND, T2	9
44217-101	ASSEMBLY, MOTOR/ FLYWHEEL	10
45618-024	ASSY,SENSOR,VANE,SR16C,24"L	11
44257-104	MOTOR, LIFT ACTUATOR, 240V	16
44214-102	ASSEMBLY, DRIVE ROLLER	19
44212-102	ASSEMBLY, TAKE-UP ROLLER	20
47352-101	WELDMENT, HANDRAIL, SHORT, LEFT	21
47352-102	WELDMENT, HANDRAIL, SHORT, RIGHT	22
46988-144	PWR CORD,250VAC,16A,CEE 7/7RA - IEC	23.01
47430-144	PWR CORD,250VAC,20A,NEMA 6-20RA45/I	23.02
10738-102	CKT BRKR,250V,MAGNETIC,ROCKER,	24
11224-102	FILTER,PWR LINE,250VAC,16A	25
44285-302	IC, CPU, PGMD, C96X-ND, LOWER, V3.0	27
44411-103	TOUCHSENSOR SHIELD,23-KEY,T2/C2/T3/	35
44275-102	MOUNT, CIRCUIT BREAKER, PLASTIC	50
45381-101	IEC 16/20A POWER CORD INLET	51
47252-101	90 DEGREE POWER CORD CLAMP, C95X.	52
45383-009	ASSY,CBL,1 COND,14AWG,QK DISC,FLAG,	53
CCNE013-038	SCREW, SKHD,6-32X3/8,SS,LK	54
KGCN013-011	LOCKNUT, STARWASHER 6-32, #6	55
44528-006	ASSY,CBL,1 COND,14AWG,QK DISC,6",BR	57
45696-022	ASSY,CBL,FFC,12COND,28AWG,2.2"	58
44532-024	ASSY,CBL,2 COND,22 AWG,MOLEX, 24"	59
43579-106	BOARD, CHR & WIRELESS/CONTACT PRIOR	60
WNKN026-006	WASHER,FLT,1/4X.625X.063,BLK ZN	61
MGCN016-038	SCREW,MCH,8-32X3/8,PANHD,PHIL,	63
PGKN016-050	SCREW,S/T,#8X1/2,TRS,PHIL,BLK	63
CAKN025-100	SCREW,SKHD,1/4-20X1,BLK ZN,LK	65
44202-104	ASSEMBLY, STOP BUTTON	66
45649-101	ASSEMBLY, HANDLEBAR, COMMERCIAL TRE	67
47371-111	LABEL, RIGHT, DASH, EN, C956I/C966I	68
47365-111	LABEL, LEFT DASH, EN, C966I, C2/T2	69
39004-106	DASH,CONSOLE, STONE GREY	70
44019-106	ASSEMBLY, REAR FOOT, C966	73
45273-023	ASSY, CABLE, FILTER TO TERMINAL BLK	74
CCNE013-038	SCREW, SKHD,6-32X3/8,SS,LK	75
KGCN013-011	LOCKNUT, STARWASHER 6-32, #6	76
CAKN019-075	SCREW, SKHD,10-24 X 0.75,BLK ZN,LK	77
44216-107	ASSEMBLY, TARGA, LEFT,TITANIUM	78
44216-108	ASSEMBLY, TARGA, RIGHT,TITANIUM	79
44534-008	ASSY,CBL,1COND,14AWG,QK DISC,8"	80
10178-107	BUSHING, SNAP	81
10217-134	BELT, DRIVE, 320J10 POLY V	82

33984-101	LABEL, SAFETY, GROUND SYMBOL	83
44074-103	STRAP, GFX TIE DOWN	84
44224-103	ASSEMBLY, HOOD, STONE GRAY	85
44279-102	FAN, C966-ND, 240V	86
44278-103	BRACKET, FAN MOUNT	87
41734-103	BRACKET, VANE SWITCH, MOUNTING	88
WACN019-005	WASHER, FLT, #10X.500X.049,ZN	92
36192-101	BUSHING, SPANNER	94
44227-103	ASSEMBLY, LIFT,WELDMENT	95
44270-101	WHEEL, LIFT	96
CBKN019-038	SCREW,SKHD,10-32X.3/8,BLK ZN	97
44273-104	PIN, QUICK RELEASE	98
CAKN025-100	SCREW,SKHD,1/4-20X1,BLK ZN,LK	99
HCKN050-250	SCREW,HEX,GR 5,1/2-13X2-1/2,BLK ZN	100
KACN050-019	LOCKNUT,HALF,1/2-13,ZN	101
WBCN050-010	WASHER, FLT, 1/2, ID=.531,	103
44234-101	DECK PIVOT	105
44236-101	GFX CUSHION	106
44258-103	BRIDGE, LEFT, PAINTED	107
44258-104	BRIDGE, RIGHT, PAINTED	108
45532-101	BRACKET, MOTOR MOUNT	109
44263-101	PLATE, SPACER, DECK	110
47393-102	ASSEMBLY, DECK TRIM, C966I	111
47034-105	COVER, SIDERAIL, C966I, TITANIUM	112
44272-109	ENDCAP, LEFT,PT,STONE	113
44272-110	ENDCAP, RIGHT,PT,STONE	114
47962-101	LABEL, CAUTION, ENDCAP, SLATE GRAY	119
CAKN031-100	SCREW,SKHD,5/16-18X1,BLK ZN,LK	122
WBCN031-007	WASHER,FLT,5/16X.688X.065, ZN	123
CKKN038-250	SCREW,SKHD,3/8-24X2.50L,BLK ZN,.78	125
PBKN019-150	SCREW,S/T,#10X1-1/2,PANHD,PHIL,BLK	127
HCCN038-150	SCREW,HEX,GR 5,3/8-16X1 1/2,ZN	128
KGCN031-027	LOCKNUT,STARWASHER,5/16-18,1/2	129
PKCN019-050	SCREW,S/T,#10X1/2,WSHHXHD,ZN	130
WAMCN019-002	WASHER, LOCK, EXT TOOTH, #10	131
TAKN019-075	SCREW,BTHD,10-24X3/4,BLK ZN	132
TCKN031-100	SCREW, BTNHD, 5/16-18 X 1, BLK ZN	133
WPNN038-008	WASHER,FLT,5/16X.875X.104,SS	134
10401-106	PIN,CLEVIS, 3/8 X 1.75, SILVER	135
10400-103	PIN, HITCH, .093 DIA, SILVER CAD, #	136
45669-102	PIN, LIFT PIVOT, 3.34, MUSHROOM HEA	137
CAKN031-350	SCREW,SKHD,5/16-18 X 3.50,BLK ZN,LK	138
WPNN033-005	WASHER,FLT,5/16X.562X..060,AN960C	139
44060-103	SPACER, TARGA BOLT, 2.500 L	140
MRNN025-100	SCREW, MCH,1/4-20X1,FLTHD,HEX	141
TCNN031-100	SCREW,BTHD,5/16-18X1, SS	142
WPNN038-008	WASHER,FLT,5/16X.875X.104,SS	143
TCNN031-100	SCREW,BTHD,5/16-18X1, SS	147
44226-102	ASSEMBLY, DRESS PLATE, BLACK	150
44954-013	ASSY,CBL,HHHR TO DISPLAY,13"	162
12157-102	BUMPER, RUBBER BUMPON, .44 X .20	164

CAKE019-075	SCREW, SKHD,10-24 X 0.75,BLK ZN,LK	165
CAKN019-075	SCREW, SKHD,10-24 X 0.75,BLK ZN,LK	165
WACN019-005	WASHER, FLT, #10X.500X.049,ZN	166
MGCE013-175	SCREW, MCH, 6-32X1-3/4, PANHD,NYLP	167
MGCE016-163	SCREW, MACHINE, 8-32 X 1-5/8, PHIL	167
MNCE016-050	SCREW, MCH, 8-32X1/2, FLTHD, PHIL	168
42714-102	HHR SENSOR,BOTTOM	169
42713-102	HHR SENSOR, TOP	170
TCNN016-075	SCREW, BTHD, 8-32X.75,SS	172
CAKN011-025	SCREW, SKHD, #4-40X1/4, BLK ZN,LK	173
47342-018	ASSY, CABLE, HHR PCA TO GRIP, W/SH	174
WAVCN038-015	WASHER, FLAT, 3/8 X .875 X .150	175
12264-101	RJ-45 TELEPHONE JACK PLUG	180
45728-102	ENCLOSURE, UPPER	192
10762-110	VELCRO, BLACK HOOK,1.50 X 1.00	193
10762-109	VELCRO, BLACK LOOP,1.50 X 1.00	194
MGCN013-025	SCREW,MCH,6-32X1/4,PANHD,PHIL,	195
44201-103	SWITCH MOUNT, M9.5X,C95X	196
45283-011	ASSY,CBL,UPPER SAFETY SWITCH,11"	197
12259-102	SWITCH,MICRO,PLUNGER,SPNC	198
44289-102	HARDWARE KIT, C95X-ND,C966	200
10186-101	WRENCH, ALLEN, 5/32	201
10186-102	WRENCH, ALLEN, 1/4	202
10186-103	WRENCH, ALLEN, 3/16	203
10186-104	WRENCH, ALLEN, 5/16	204
11075-020	FUSE,200MA,250VAC,SLOW,RADIAL	205
11075-102	FUSE,1.00A,250VAC,SLOW,RADIAL	206
11075-105	FUSE,2.00A,250VAC,SLOW,RADIAL	207
50991-101	SLIK DECK AND DRYLUBE BELT CS KIT W	210
12414-101	CABLE CLAMP INSERT,SNAP IN	220
10114-109	CAP, PLASTIC HEYCO #2693 BLACK	221
37436-101	LABEL, CHASIS NEUTRAL	223
47408-102	SHIELD, STOP BUTTON, UPPER,STONE GR	230
47409-102	SHIELD, STOP BUTTON, LOWER,STONE GR	231
MGCN016-038	SCREW,MCH,8-32X3/8,PANHD,PHIL,	232
20002-106	BRUSH, MOTOR, PAC SCI, C960	990